



AES  
INDUSTRIAL

AES INDUSTRIAL  
800-850-9891

IN FEED

The image is a technical line drawing of the AES Bread Pressure Board System. It shows a complex mechanical assembly with various components like a motor, gears, and a pressure board. The drawing is rendered in white lines on a blue background. The text 'AES INDUSTRIAL' and '800-850-9891' is visible on the left side of the drawing, and 'IN FEED' is visible on the right side.



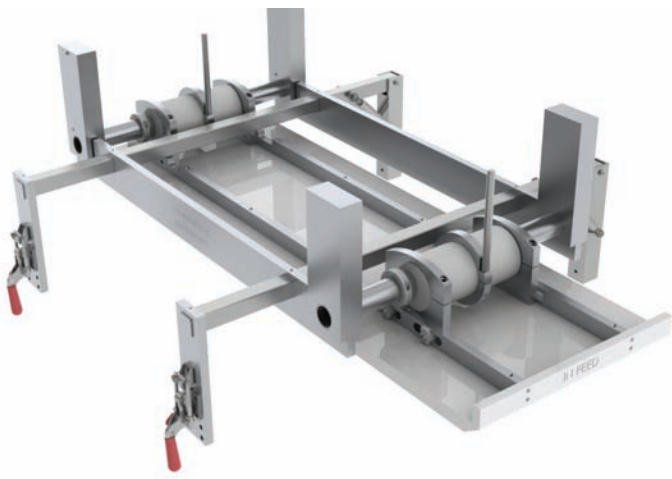
THE AES BREAD PRESSURE  
BOARD SYSTEM

The image is a close-up photograph of the pressure board system. It shows a circular dial with a needle and a pressure board. The dial has markings for pressure in PSI and MPa. The pressure board is a white, curved component that is used to apply pressure to the bread during the proofing process.

[www.AESindustrial.com](http://www.AESindustrial.com)

1001 Arboretum Dr., Unit B  
Wauwaukee, WI 53597

Toll Free: 800-850-9891  
Phone: 608-850-6966  
Fax: 608-850-6967



# THE AES PRESSURE BOARD

## Benefits

Use of superior plastic materials on the pressure board improves wear and helps reduce stickups.

The design of the AES system allows doubles and triples to pass thru without destroying belts, motors and other transmission components.

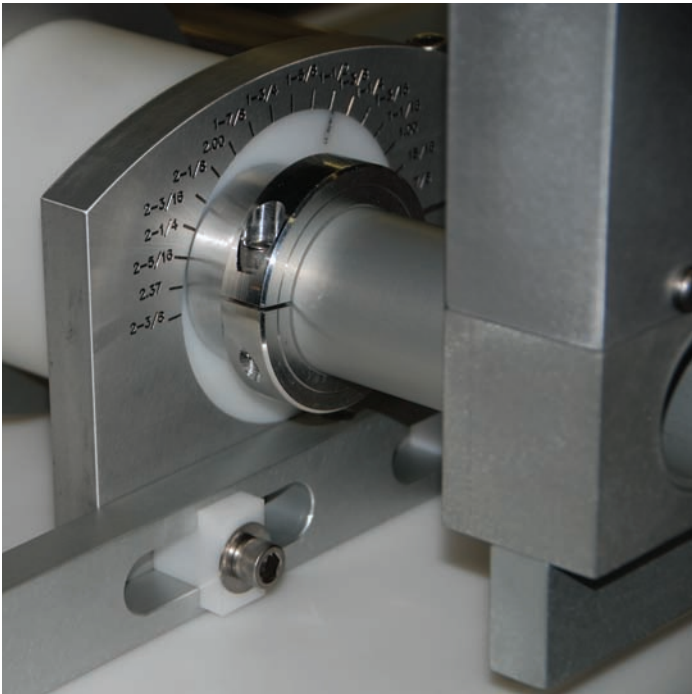
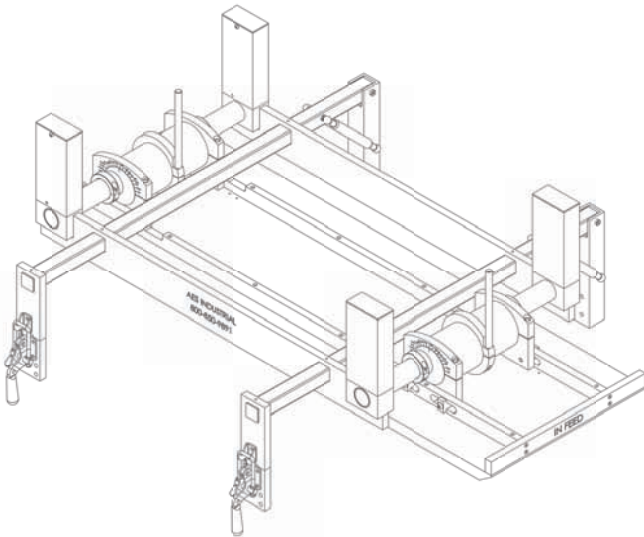
System is fully adjustable for the proper tension required for your dough needs.

Height adjustment system features markings on the side of the roller housings. These markings will give your operators the distance from the pressure board to the conveyor bed, very useful for determining proper setups and repeatability.

Easily installed with no moving parts. Stainless steel and aluminum construction. All aluminum parts are clear anodized, all fasteners are stainless steel.

The pressure board is lifted with four rear mounted gas shocks for secure, smooth lifting and full frontal access for cleaning with no obstructions. Installing an AES Pressure Board System will virtually eliminate the need for any moulder belt flour.

Fully adjustable locking height adjustment handle, eliminates loose handles from being misplaced or ending up in other processing equipment.



[www.AESindustrial.com](http://www.AESindustrial.com)

Toll Free: 800-850-9891

Phone: 608-850-6966

Fax: 608-850-6967

**AES**  
INDUSTRIAL

1001 Arboretum Dr., Unit B

Waukegan, WI 53597